

# WEKSLER® HVAC/Contractor Gauge

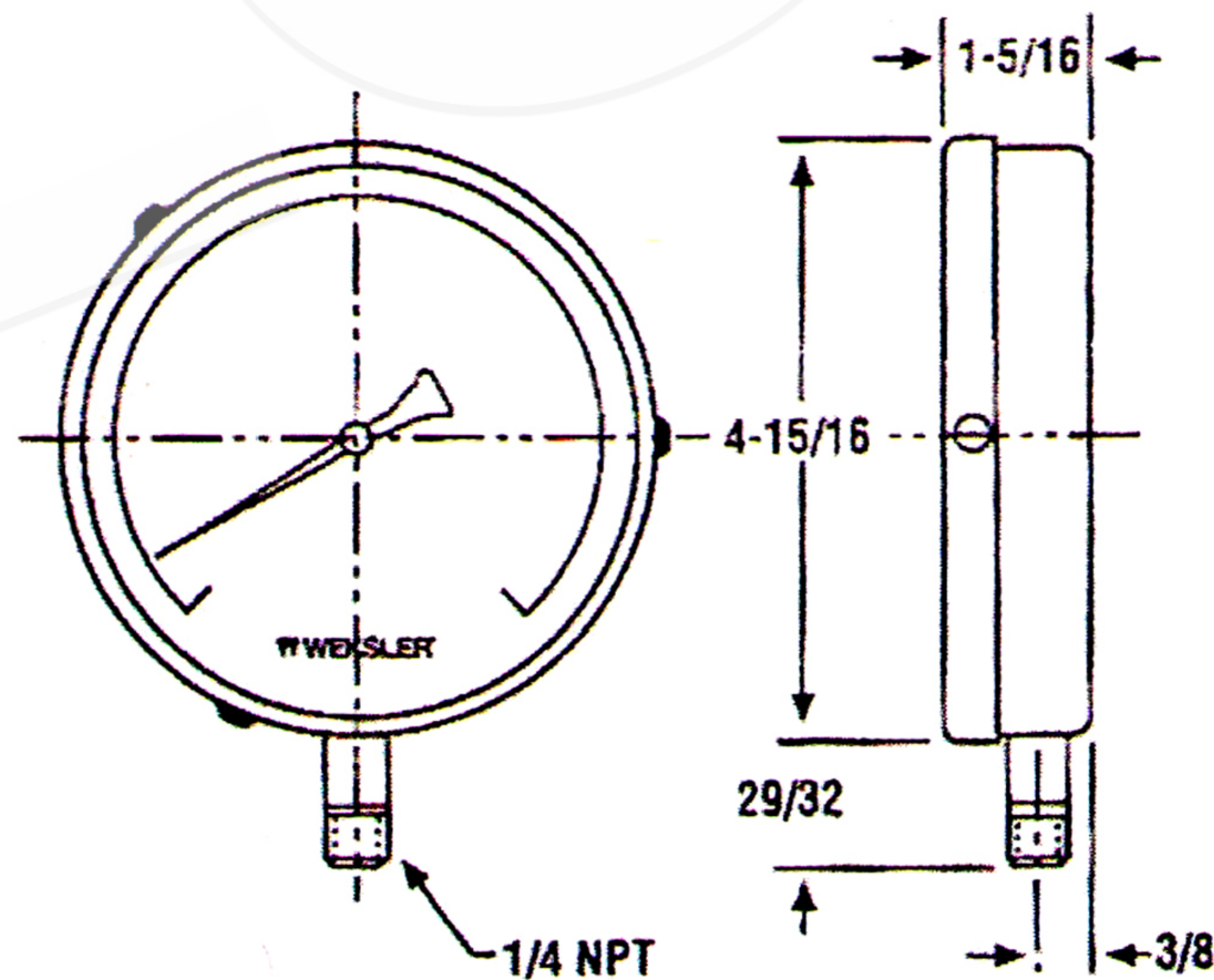
MODEL EA14MH



## STANDARD FEATURES

- 4½" corrosion resistant stainless steel case and ring, plastic window.
- Accuracy is 1% full scale.
- Balanced adjustable black pointer, adjust screw in face of instrument.
- Soft soldered phosphor bronze tube with brass socket. Suitable for steam, water, air, oil, gas or any medium not corrosive to copper alloys.
- Phosphor bronze movement.
- White dial with bold black graduations and figures.
- ¼ NPT bottom connection only.

## DIMENSIONS



## VACUUM RANGES

CATALOG NO	DIAL RANGES	FIGURE INTERVALS	SMALLEST GRADUATION
EA14MH	30"-0 /cm hg.Vac	5 in	.50 in